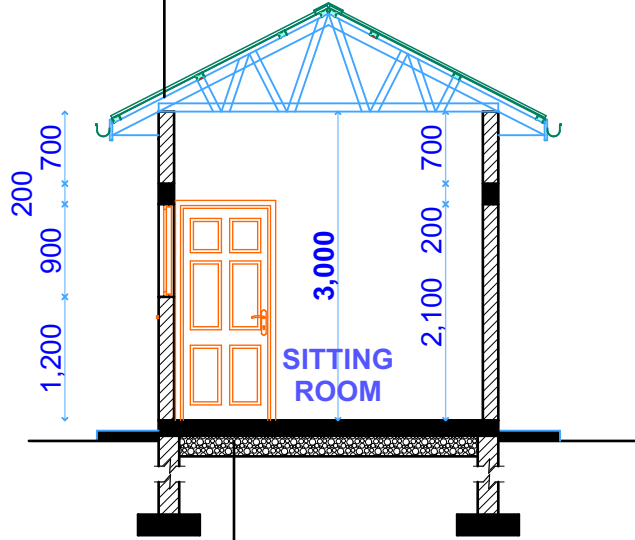


MAIN HOUSE PLAN

PROJECT :	RACOBABO
CLIENT :	HOMESTEAD FOR VULNERABLES
DRAWN BY :	KIWANUKA FRANCIS

ROOF NOTES

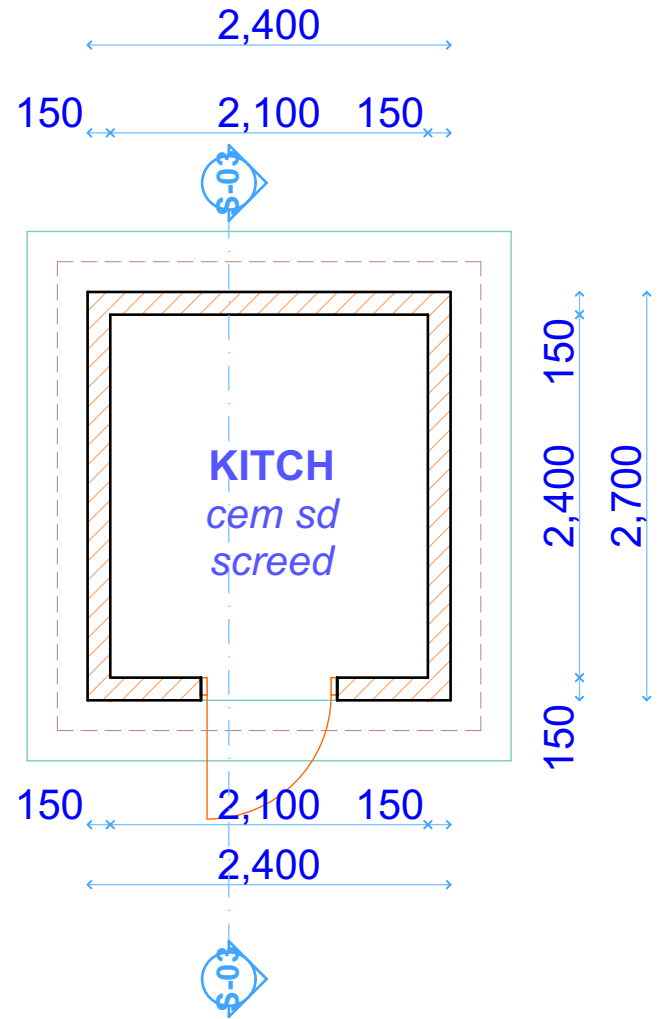
Roof pitch angle 27 degrees on
 Corrugated iron sheet cover on
 100x50mm purlins on
 100x50mm rafters on
 100x50mm struts & ties on
 150x50mm tie beam on
 100x75mm wall plate on
 trusses at 1800 c-c



FOUNDATION NOTES

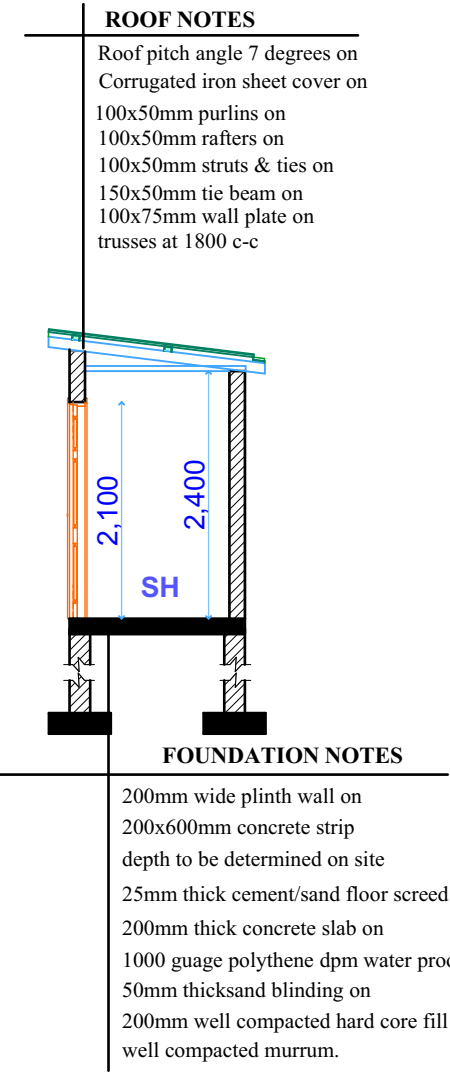
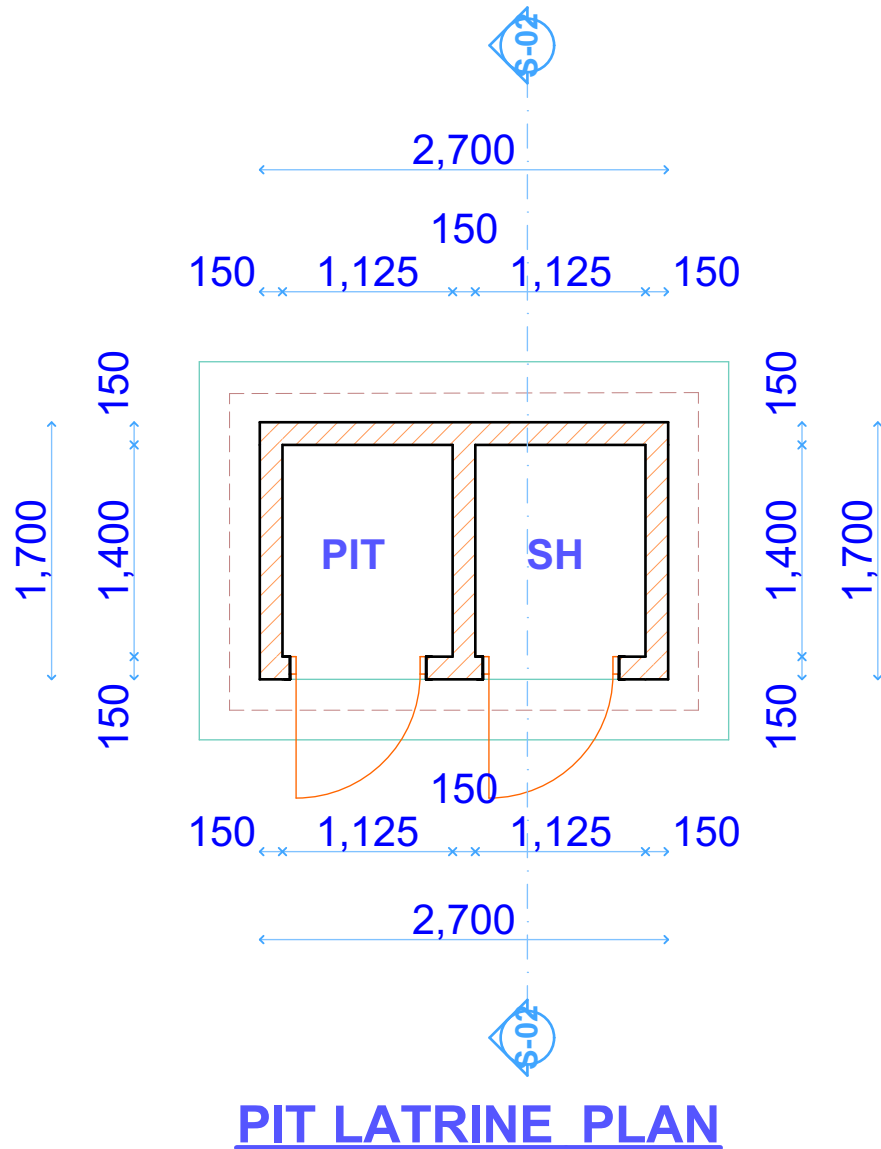
200mm wide plinth wall on
 200x600mm concrete strip
 depth to be determined on site
 25mm thick cement/sand floor screed fin. on
 200mm thick concrete slab on
 1000 gauge polythene dpm water proofing on
 50mm thick sand blinding on
 200mm well compacted hard core fill on
 well compacted murrum.

SECTION S-1 - S-1 Scale 1:100

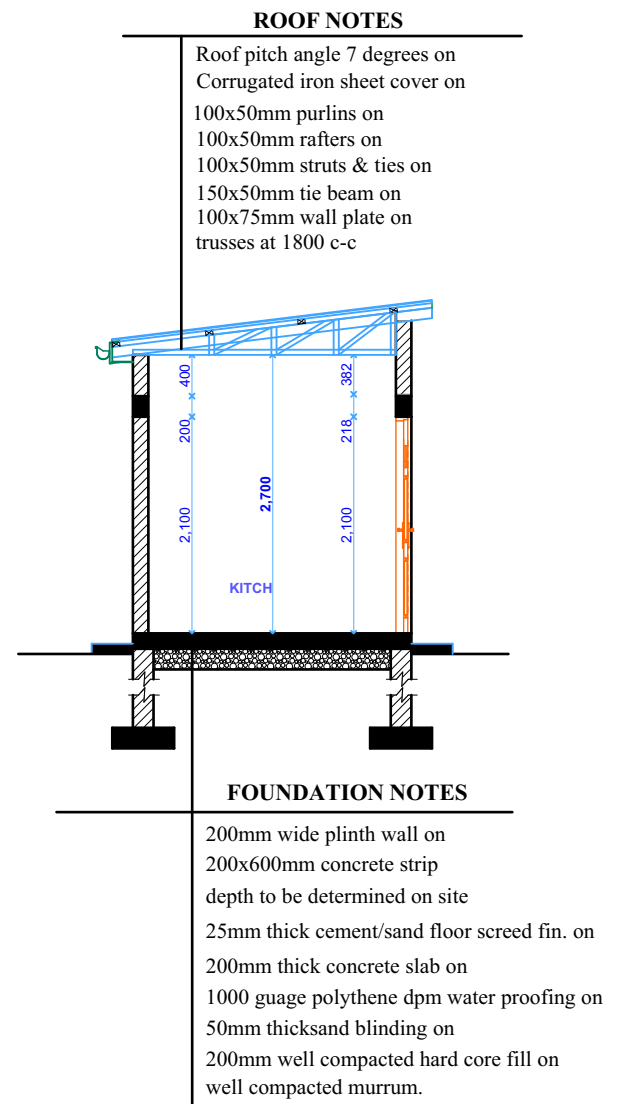


KITCHEN PLAN

PROJECT :	RACOBABO
CLIENT :	HOMESTEAD FOR VULNERABLES
DRAWN BY :	KIWANUKA FRANCIS

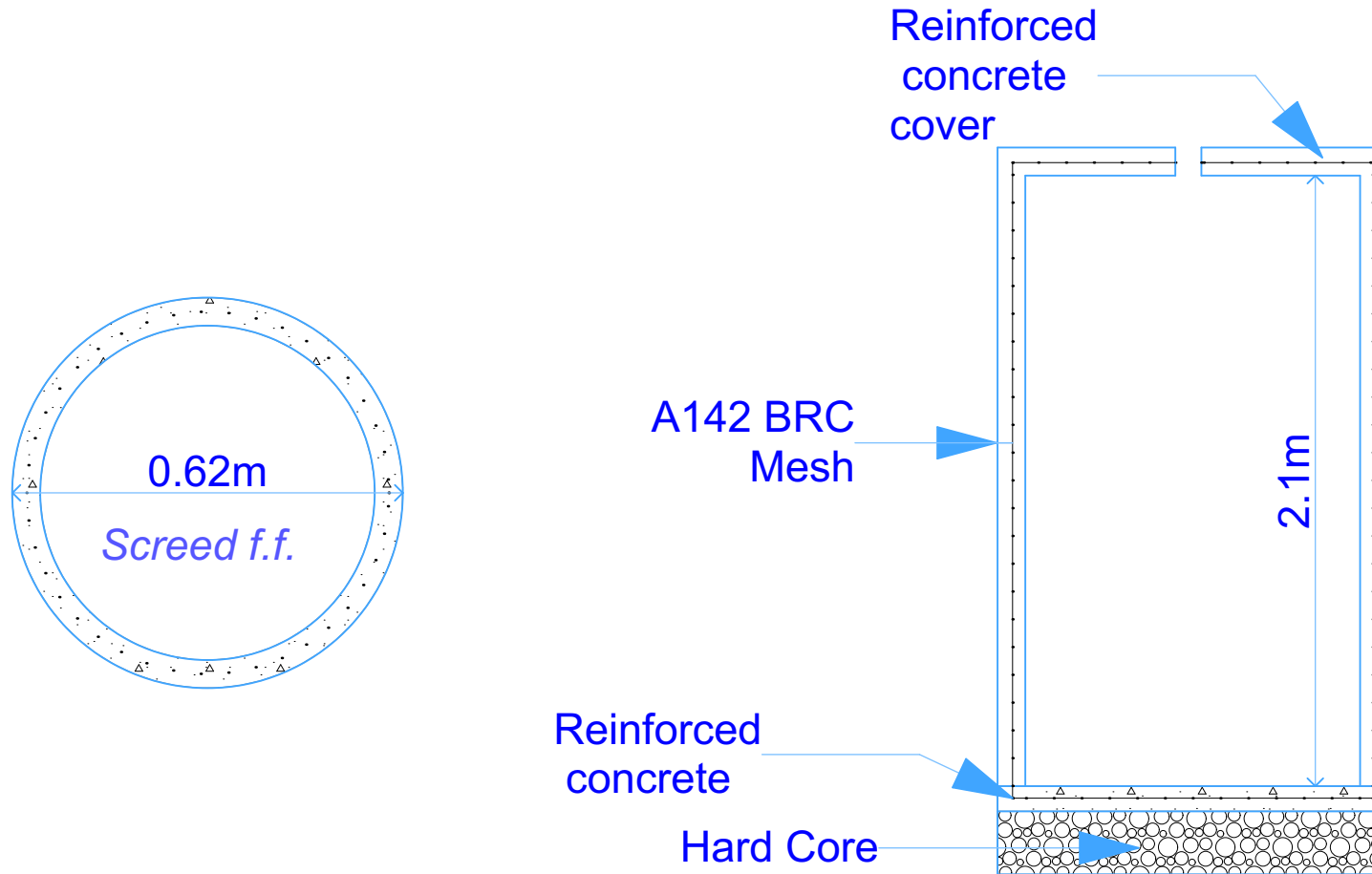


SECTION S-2 - S-2 Scale 1:100



SECTION S-3 - S-3 Scale 1:100

PROJECT :	RACOBABO
CLIENT :	HOMESTEAD FOR VULNERABLES
DRAWN BY :	KIWANUKA FRANCIS



FERROW CEMENT TANK 6m³

PROJECT :	RACOB AO
CLIENT :	HOMESTEAD FOR VULNERABLES
DRAWN BY :	KIWANUKA FRANCIS